

[TopPage](#)>>[Search Result](#)>>7228DB

Angular Contact Ball Bearings

Bearing No. : **NACHI 7228DB**

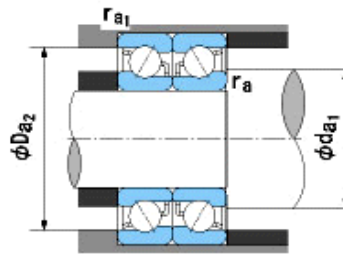
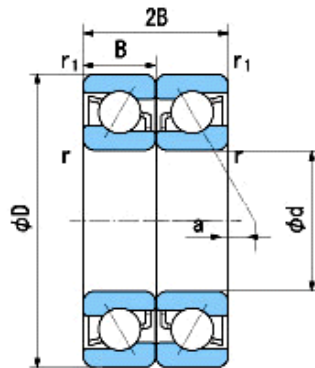
■ Bearing Type

■ Clearance

■ Tolerance Class

Dimensions

d = 140⁰_{-0.025}
 D = 250⁰_{-0.030}
 B = 42⁰_{0.000}
 r = 3~5
 (Radial Direction)
 r = 3~8
 (Axial Direction)
 r1 = 1.1~2.5
 (Radial Direction)
 r1 = 1.1~4
 (Axial Direction)
 a = 35.3



Dimensions

da1(min) = 154
 da2(min) = 147
 Da1(max) = 236
 Da2(max) = 243
 ra(max) = 2.5
 ra1(max) = 1
 Mass = 17.56 kg

Basic Dynamic Load Rating Cr : **345,000** N

Basic Static Load Rating Cor : **525,000** N

Limiting Speed ;

Grease Lubrication : **1,800** min⁻¹

Oil Lubrication : **2,400** min⁻¹

	INNER RING	OUTER RING
O.D.Surface Runout with Side :		-
Axial Runout with Bore :	-	
Axial Runout with Raceway :	-	
Width Variation :	0.030	0.030
Radial Runout :	0.030	0.050